

GTWY1000

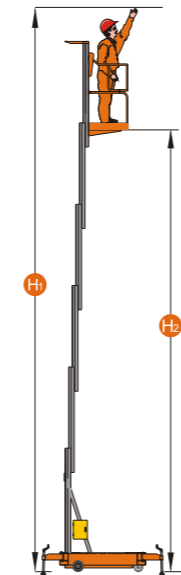
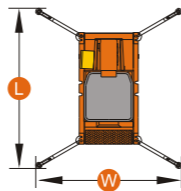
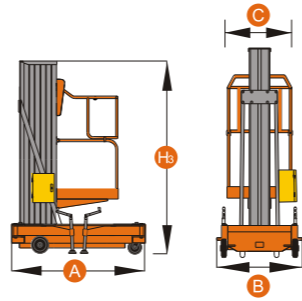
Mobile Vertical Lifts (Single Mast)



Dingli GTWY8-1000 GTWY10-1000 GTWY12-1000



S.W.L	150kg	125kg	125kg
Max. Occupants	1	1	1
H₁ Working Height	8.00m	10.00m	12.00m
H₂ Platform Floor Height	6.00m	8.00m	10.00m
A Overall Length	1.42m	1.42m	1.42m
B Overall Width	0.78m	0.78m	0.78m
H₃ Overall Height	1.92m	1.93m	1.93m
Outrigger Footprint(L/W)	1.92m/1.84m	1.92m/1.84m	1.92m/1.84m
Platform Size(Length/Width/C)	0.66mX0.69m	0.66mX0.69m	0.66mX0.69m
Ground Clearance	0.05m	0.05m	0.05m
Wheelbase	1.12m	1.12m	1.12m
Lifting Motor			
AC	110-230VAC/0.75kw	110-230VAC/0.75kw	110-230VAC/0.75kw
DC	12VDC/1.5kw	12VDC/1.5kw	12VDC/1.5kw
Up/Down Speed	36/33sec	40/36sec	45/36sec
Batteries	2X12V/110Ah	2X12V/110Ah	2X12V/110Ah
Integrated Charger	12V/15A	12V/15A	12V/15A
Tyres			
Back Wheels	7in	7in	7in
Front Wheels	6in	6in	6in
Weight			
AC	380kg	404kg	445kg
DC	401kg	430kg	471kg



Standard Equipment

- Swing Outriggers With Interlock
- Emergency Stop Button
- Battery Charge Indicator
- Electric Limit Switch
- Two Controllers Operation
- Emergency Lowering System
- Leveling Indicator
- Forklift Pockets
- Transport Tie Hole
- All Motion Alarm
- Function With Deadman
- Cylinder Holding Valve

Options

- Overload Sensor
- AC Power To Platform
- DC Power With Charger
- Beacon



Function With Deadman



Swing Out Outrigger
With Interlock



Ground Control With
Outrigger LEDs



Emergency Lowering System