

GTBZ-SI

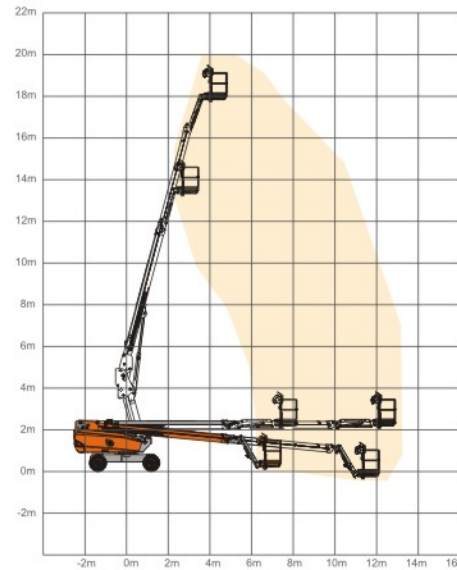
Self-Propelled Telescopic Boom Lifts



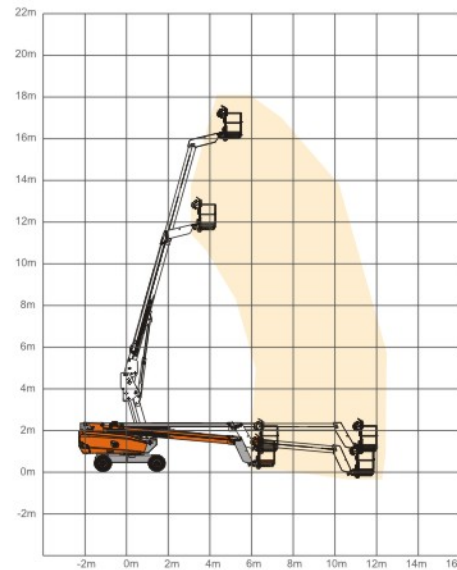
Dingli



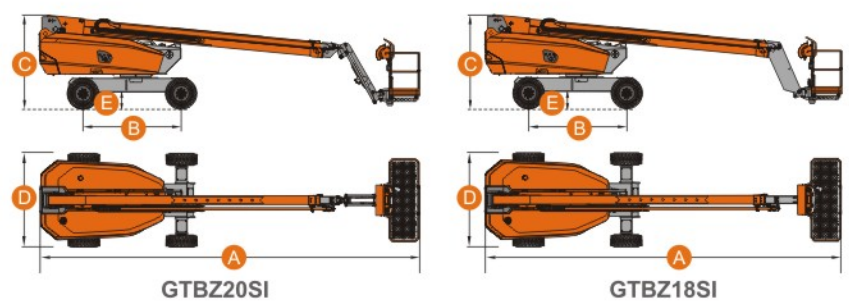
	GTBZ20SI	GTBZ18SI
S. W. L	230kg	340kg
Max. Occupants	2	2
Max. Working Height	20.19m	18.50m
Max. Platform Height	18.19m	16.50m
Max. Horizontal Reach	13.50m	12.40m
Turntable Tailswing	1.30m	1.30m
A Overall Length (Stowed)	10.10m	9.48m
B Overall Width	2.50m	2.50m
Overall Width (Transport)	2.28m	2.28m
C Overall Height	2.49m	2.49m
Overall Height (Transport)	2.35m	2.35m
Platform Size	2.20m x 0.80m	2.20m x 0.80m
E Ground Clearance	0.24m	0.24m
B Wheel Base	2.60m	2.60m
Turning Radius (Inside/Outside)	3.37m/5.37m	3.37m/5.37m
Turret Rotation	360° continuous	360° continuous
Platform Rotation	+/-90°	+/-90°
Jib Movement	+70° /-60°	+70° /-60°
Engine		
Perkins 404D-22	38kW/2800rpm	38kW/2800rpm
Kubota V2403	34kW/2400rpm	34kW/2400rpm
Fuel	Diesel	Diesel
Travel Speed (Stowed)	6.1km/h	6.1km/h
Travel Speed (Working)	≤1.1km/h	≤1.1km/h
Gradeability	40%	40%
Maximum Slope	5°	5°
Hydraulic Tank	190L	190L
Fuel Tank	110L	110L
Tyre	315/55D20	315/55D20
Gross Weight	8800kg	8650kg



GTBZ20SI



GTBZ18SI



GTBZ20SI

GTBZ18SI

Standard Equipment

- Can Bus Technology
 - Proportional Controls
 - Safety Electric Pump
 - Horn
 - Hour Meter
 - Tilt Sensor
 - Rough Terrain Foam-filled Tyres
 - Self-leveling Platform
 - Onboard Diagnostic System
 - Hydraulic Platform Rotation
 - Anti-restart Engine Protection
 - The Glow Plugs For Cold Starting
 - Oscillating Axle
 - European III Emission Engine
 - 360° Continuous Turntable Rotation
 - Deadman
 - Hydraulic Oil Cooler
 - 4WD
- ### Options
- Hydraulic Generator
 - Hydraulic Compressor
 - Hydraulic Water Pump
 - AC Power To Platform
 - Hydraulic Welder
 - Platform Work Lights
 - Overload Sensor With Alarm
 - Non-marking Tyres



Foot Deadman



Transport Lock Pin



Waterproof Platform Control



Beacon