

GTBZ-S

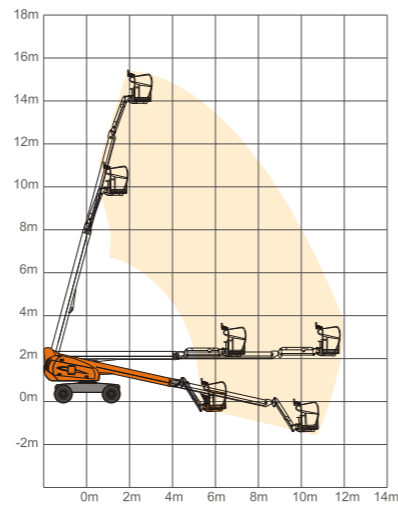
Self-Propelled Telescopic Boom Lifts



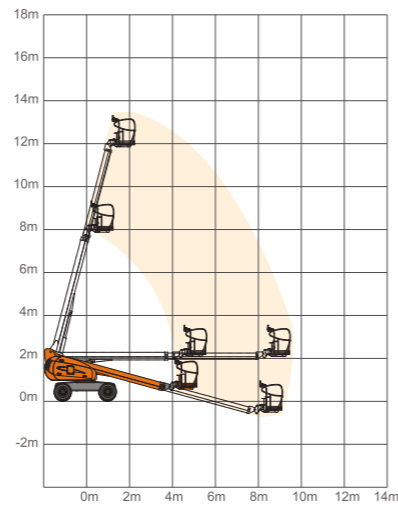
Dingli



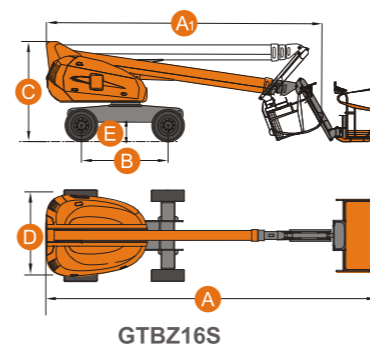
	GTBZ16S	GTBZ14S
S. W. L	230kg	340kg
Max. Occupants	2	2
Max. Working Height	16.00m	14.00m
Max. Platform Height	14.00m	12.00m
Max. Horizontal Reach	11.60m	9.65m
Turntable Tailswing	0.86m	0.86m
Under Ground Reach	1.50m	0.50m
A Overall Length(Stowed)	8.41m	7.40m
A ₁ Overall Length(Transport)	7.10m	7.40m
D Overall Width	2.30m	2.30m
C Overall Height	2.55m	2.55m
Platform Size	1.80mX0.76m	1.80mX0.76m
E Ground Clearance	0.36m	0.36m
B Wheel Base	2.20m	2.20m
Turning Radius(Inside/Outside)	2.85m/4.29m	2.85m/4.29m
Turret Rotation	360° continuous	360° continuous
Platform Rotation	+/-90°	+/-90°
Jib Movement	+70° /-60°	/
Engine		
Perkins 404D-22	35.7kw/2600rpm	35.7kw/2600rpm
Kubota V2403	35kw/2400rpm	35kw/2400rpm
Fuel	Diesel	Diesel
Travel Speed(Stowed)	6.1km/h	6.1km/h
Travel Speed(Working)	≤1.1km/h	≤1.1km/h
Gradeability	40%	40%
Maximum Slope	5°	5°
Hydraulic Tank	158L	158L
Fuel Tank	85L	85L
Tyre	33X12-20	33X12-20
Gross Weight	6750kg	6500kg



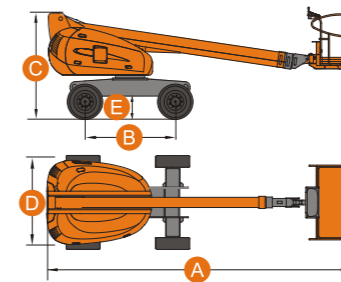
GTBZ16S



GTBZ14S



GTBZ16S



GTBZ14S

Standard Equipment

- Can Bus Technology
- Proportional Controls
- Safety Electric Pump
- Horn
- Hour Meter
- Tilt Sensor
- 2WD
- Self-leveling Platform
- Onboard Diagnostic System
- Hydraulic Platform Rotation
- Anti-restart Engine Protection
- The Glow Plugs For Cold Starting
- European III Emission Engine
- 360° Continuous Turntable Rotation
- Deadman
- Hydraulic Oil Cooler
- Solid Tyres

Options

- Hydraulic Generator
- Hydraulic Compressor
- Hydraulic Water Pump
- AC Power To Platform
- Hydraulic Welder
- Platform Work Lights
- Oscillating Axle
- Overload Sensor With Alarm
- Non-marking Tyres
- 4WD



Foot Deadman



Transport Lock Pin



Waterproof Platform Control



Platform Work Lights