

GTBZ-SI

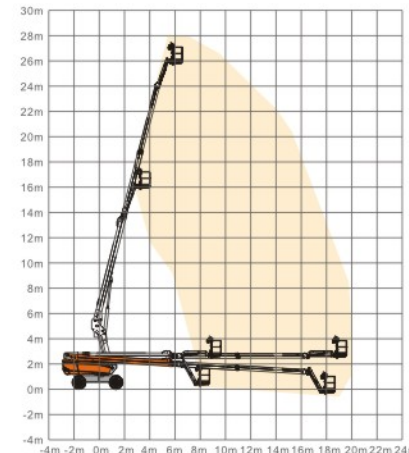
Self-Propelled Telescopic Boom Lifts



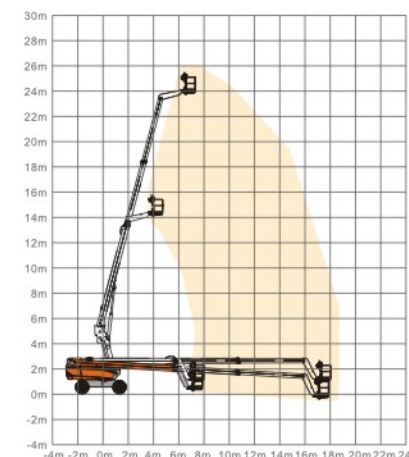
Dingli



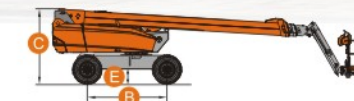
	GTBZ28SI	GTBZ26SI
S. W. L	230kg	340kg
Max. Occupants	2	2
Max. Working Height	27.90m	26.40m
Max. Platform Height	25.90m	24.40m
Max. Horizontal Reach	20.00m	18.58m
Turntable Tailswing	1.30m	1.30m
A Overall Length (Stowed)	11.94m	11.33m
B Overall Width	2.50m	2.50m
Overall Width (Transport)	2.28m	2.28m
C Overall Height	2.83m	2.83m
Overall Height (Transport)	2.55m	2.55m
Platform Size	2.40m x 0.90m	2.40m x 0.90m
E Ground Clearance	0.36m	0.36m
B Wheel Base	3.00m	3.00m
Turning Radius (Inside/Outside)	3.93m/5.81m	3.93m/5.81m
Turret Rotation	360° continuous	360° continuous
Platform Rotation	+/-90°	+/-90°
Jib Movement	+70° /-60°	+70° /-60°
Engine		
Perkins 1104D	56kW/2800rpm	56kW/2800rpm
Deutz TD 2.9 L4 - Option	55.4kW/2600rpm	55.4kW/2600rpm
Fuel	Diesel	Diesel
Travel Speed (Stowed)	6.1km/h	6.1km/h
Travel Speed (Working)	≤1.1km/h	≤1.1km/h
Gradeability	40%	40%
Maximum Slope	4°	4°
Hydraulic Tank	230L	230L
Fuel Tank	110L	110L
Tyre	385/65-22.5	385/65-22.5
Gross Weight	15100kg	14900kg



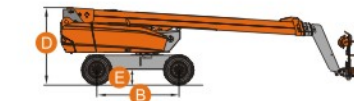
GTBZ28SI



GTBZ26SI



GTBZ28SI



GTBZ26SI

Standard Equipment

- Can Bus Technology
- Proportional Controls
- Safety Electric Pump
- Horn
- Hour Meter
- Overload Sensor With Alarm
- Tilt Sensor
- 360° Continuous Turntable Rotation
- Self-leveling Platform
- Onboard Diagnostic System
- Hydraulic Platform Rotation
- Anti-restart Engine Protection
- The Glow Plugs For Cold Starting
- Oscillating Axle
- 4WD
- European III Emission Engine
- Deadman
- Hydraulic Oil Cooler
- Rough Terrain Foam-filled Tyres

Options

- Hydraulic Generator
- Hydraulic Compressor
- Hydraulic Water Pump
- AC Power To Platform
- Hydraulic Welder
- Platform Work Lights
- European IV Emission Engine



Ground Control



Transport Lock Pin



Waterproof Platform Control



Foot Deadman



Safety Electric Pump



Oscillating Axle



Swing Out Engine Tray



Gradeability