

GTBZ-S

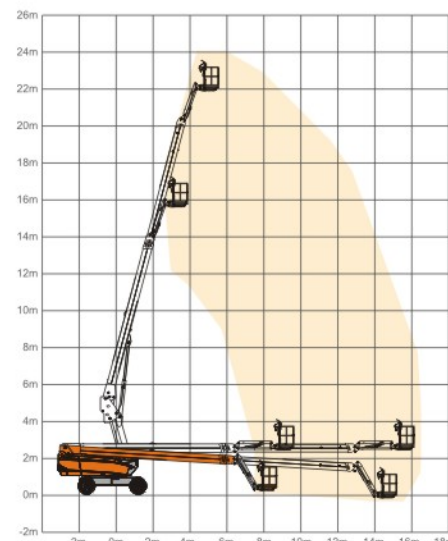
Self-Propelled Telescopic Boom Lifts



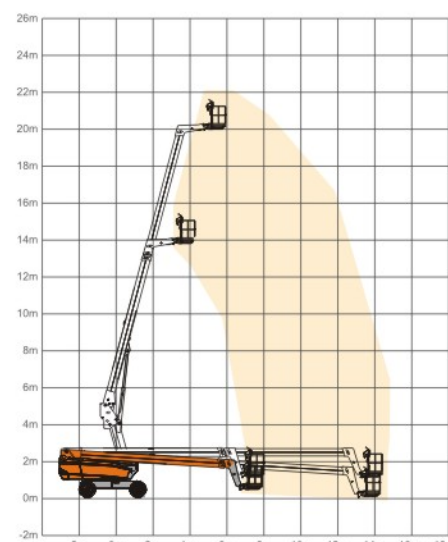
Dingli



	GTBZ24S	GTBZ22S
S. W. L	230kg	340kg
Max. Occupants	2	2
Max. Working Height	24.15m	22.50m
Max. Platform Height	22.15m	20.50m
Max. Horizontal Reach	16.23m	14.73m
Turntable Tailswing	1.90m	1.90m
A Overall Length	11.93m	11.25m
B Overall Width	2.49m	2.49m
C Overall Height	2.68m	2.68m
Platform Size	2.20mX0.80m	2.20mX0.80m
E Ground Clearance	0.28m	0.28m
B Wheel Base	2.80m	2.80m
Turning Radius (Inside/Outside)	3.52m/5.64m	3.52m/5.64m
Turret Rotation	360°continuous	360°continuous
Platform Rotation	+/-90°	+/-90°
Jib Movement	+70°/-60°	/
Engine		
Perkins 404D-22T	43kw/2400rpm	43kw/2400rpm
Deutz D 2.9 L4 - Option	36.4kw/2600rpm	36.4kw/2600rpm
Fuel	Diesel	Diesel
Travel Speed (Stowed)	6.1km/h	6.1km/h
Travel Speed (Working)	≤1.1km/h	≤1.1km/h
Gradeability	40%	40%
Maximum Slope	5°	5°
Hydraulic Tank	214L	214L
Fuel Tank	155L	155L
Tyre	355/55D625	355/55D625
Gross Weight	11040kg	10890kg



GTBZ24S



GTBZ22S

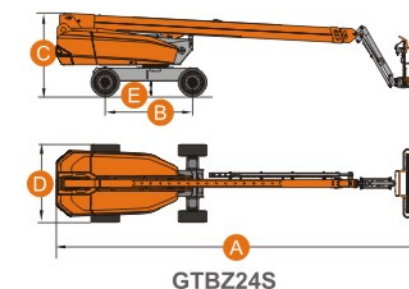


Standard Equipment

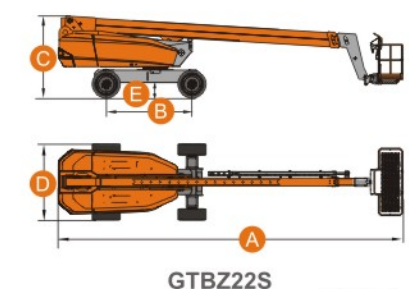
- Can Bus Technology
- Proportional Controls
- Safety Electric Pump
- Horn
- Hour Meter
- Overload Sensor With Alarm
- Tilt Sensor
- 360° Continuous Turntable Rotation
- Self-leveling Platform
- Onboard Diagnostic System
- Hydraulic Platform Rotation
- Anti-restart Engine Protection
- The Glow Plugs For Cold Starting
- Oscillating Axle
- 4WD
- European III Emission Engine
- Deadman
- Hydraulic Oil Cooler
- Rough Terrain Foam-filled Tyres

Options

- Hydraulic Generator
- Hydraulic Compressor
- Hydraulic Water Pump
- AC Power To Platform
- Hydraulic Welder
- Platform Work Lights
- European IV Emission Engine



GTBZ24S



GTBZ22S